

2-PC FLANGED BALL VALVE

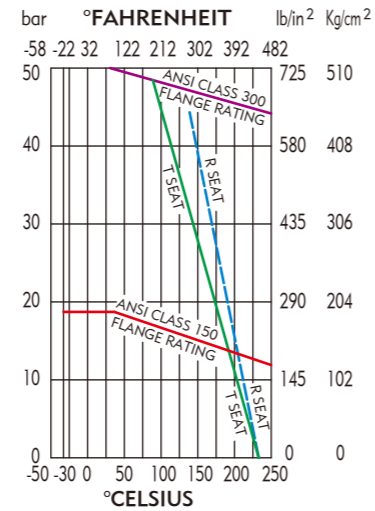
A2FC150



FEATURES

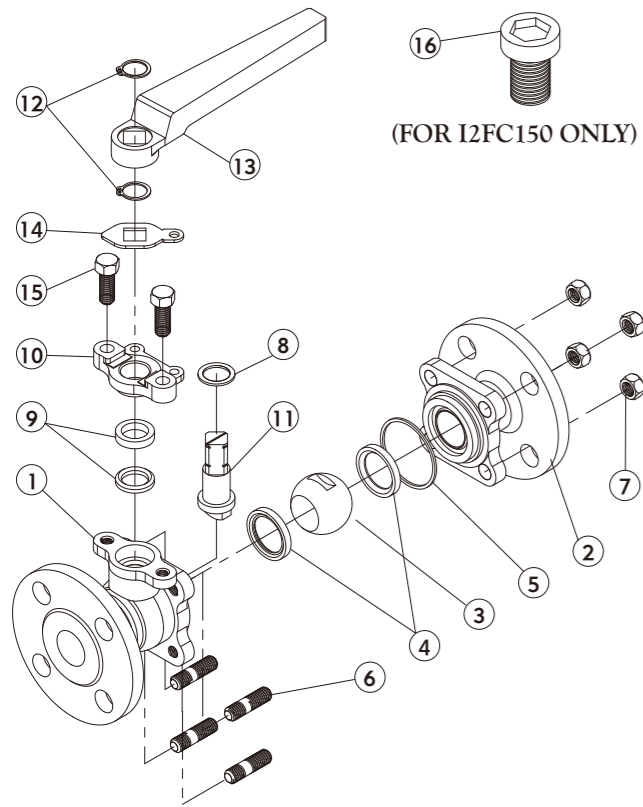
- FULL PORT
- INVESTMENT CASTING
- MATERIAL: ASTM-A351-CF8M, ASTM-A351-CF8
ASTM-A351-CF3M, ASTM-A216-WCB
- PRESSURE: ANSI CLASS 150
- FLANGE DIMENSION: ANSI B16.5
- FACE TO FACE DIMENSION: ANSI B16.10
- FIRE SAFE DESIGN
- ANTISTATIC STEM
- SIZE RANGING: 1/2"~4" (DN15~DN100)
==> 1-1/4" (DN32) IS NOT AVAILABLE
- LOCKING DEVICE ON VALVE BODY
- WITH FCD OPERATION

PRESSURE-TEMPERATURE CHART

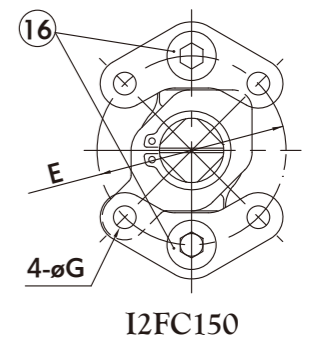
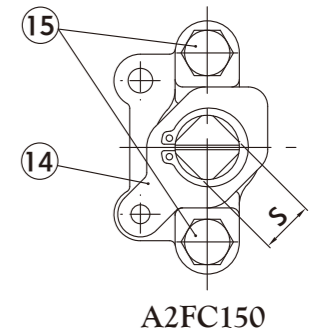
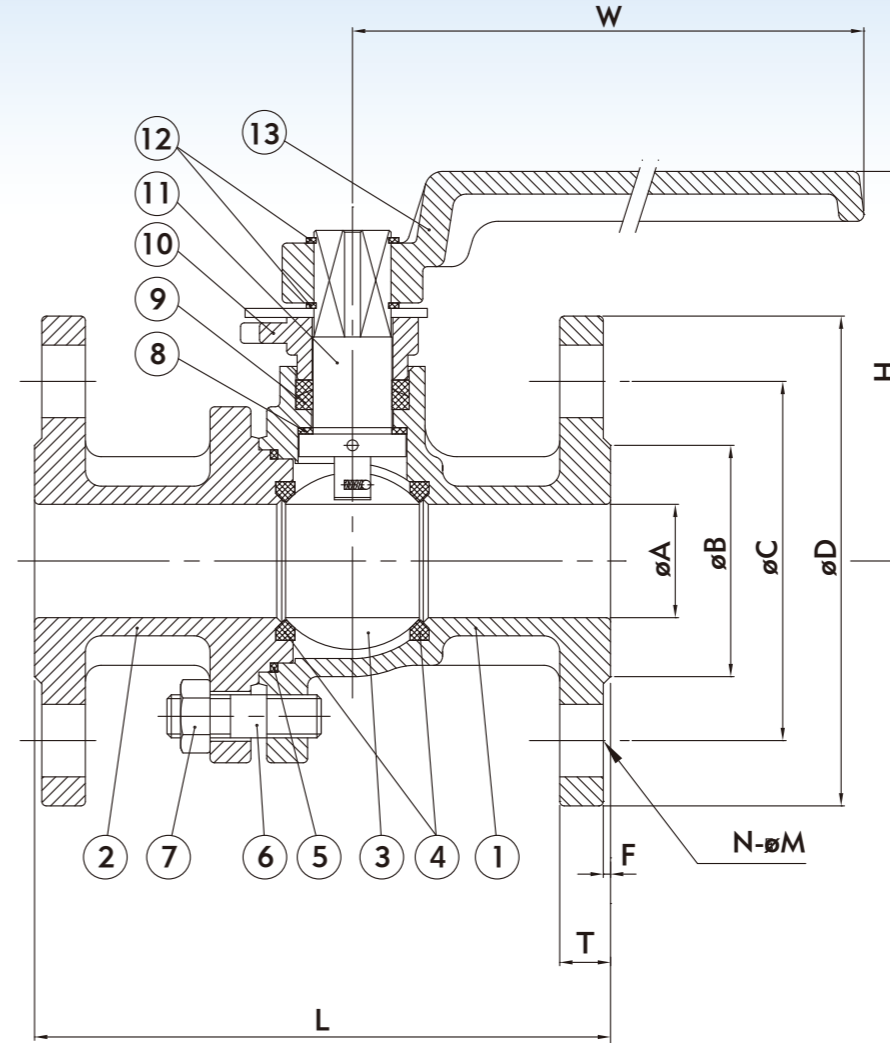


MATERIALS LIST

NO.	DESCRIPTION	Q'TY	MATERIAL	
1	BODY	1	ASTM-A351-CF8M	ASTM-A216-WCB
2	CAP	1	ASTM-A351-CF8M	ASTM-A216-WCB
3	BALL	1	ASTM-A351-CF8M	ASTM-A351-CF8
4	SEAT	2	PTFE	PTFE
5	JOINT GASKET	1	PTFE	PTFE
6	BOLT	4~8	SUS 304	SUS 304
7	NUT	4~8	SUS 304	SUS 304
8	THRUST WASHER	1	PTFE	PTFE
9	STEM PACKING	1	PTFE	PTFE
10	GLAND	1	SUS 304	SUS 304
11	STEM	1	SUS 316	SUS 304
12	C-RING	2	S45C	S45C
13	HANDLE	1	FC 25	FC 25
14	STOPPER	1	SUS 304	SUS 304
15	GLAND BOLT	2	SUS 304	SUS 304
16	GLAND BOLT	2	SUS 304	SUS 304



2-PC FLANGED BALL VALVE



DIMENSION

SIZE	øA	øB	øC	øD	øE	F	øG	H	L	øM	N	S	T	W
1/2"	15	35	60.5	89	F04/42	1.6	6	70	108	15.9	4	11	11.2	130
3/4"	20	43	70	98	F04/42	1.6	6	73	117.5	15.9	4	11	11.2	130
1"	25	51	79.5	108	F05/50	1.6	7	87	127	15.9	4	14	11.2	163
1-1/2"	38	73	98.5	127	F07/70	1.6	9	130	165	15.9	4	17	14.3	200
2"	50	92	120.5	152	F07/70	1.6	9	137	178	19.1	4	17	15.9	200
2-1/2"	65	105	140	178	F07/70	1.6	9	150	190.5	19.1	4	17	17.5	200
3"	80	127	152.5	190	F10/102	1.6	11	158	203	19.1	4	22	19	328
4"	100	157	190.5	229	F10/102	1.6	11	173	228.5	19.1	8	22	23.8	328