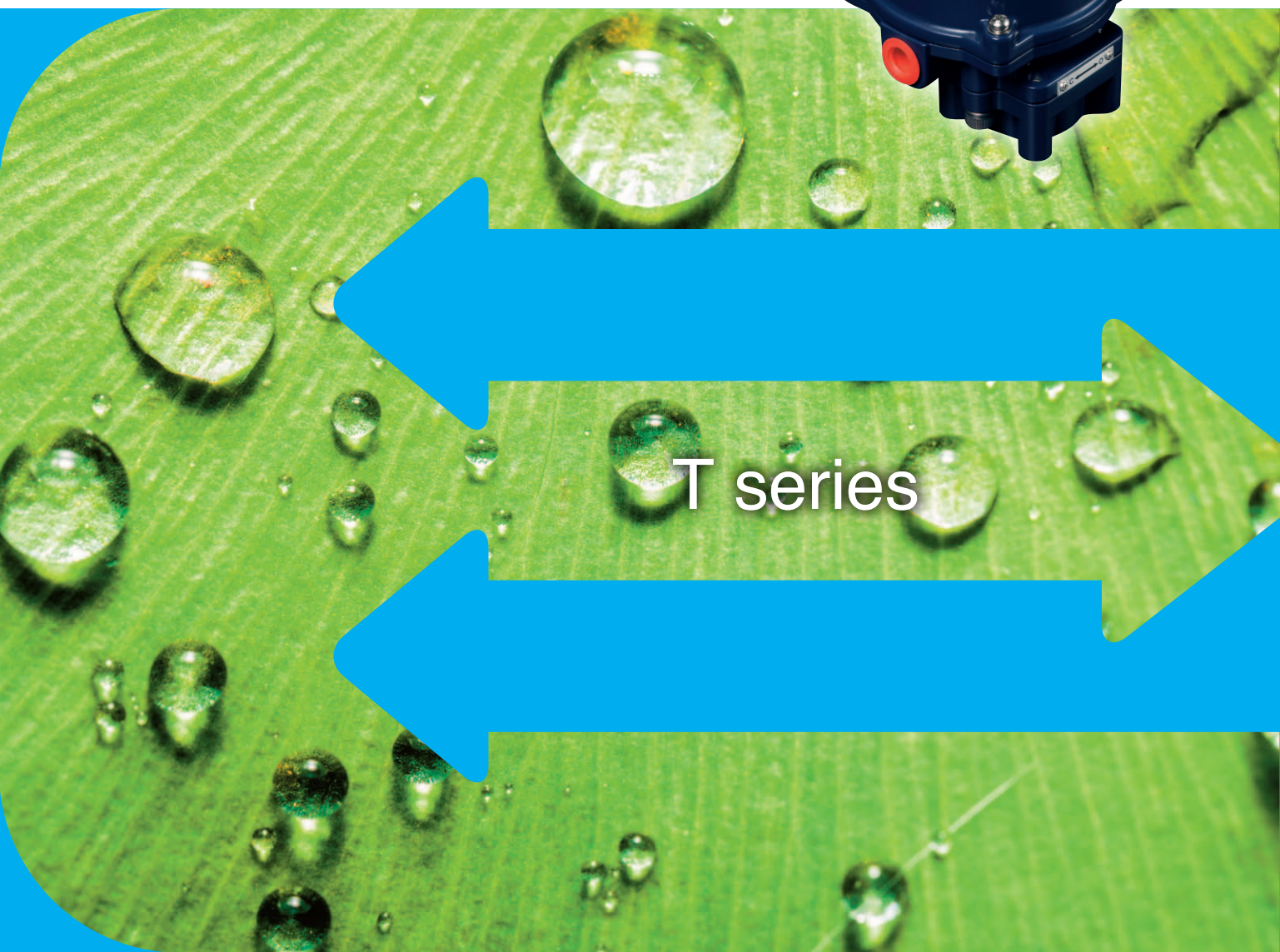


Service Unique Nice Youthful Energy Honesty

SUNYEH



T series

www.sunyeh.com





Perfect
 is the only goal for

Company Profile

Sun Yeh Electrical Ind. Co., Ltd. was founded in 1986. We always strive for technical excellence, innovation and the highest quality standards in everything we do. Sun Yeh is committed to providing the product conforming to market demands and the first class support.

We continue to expand our product ranges to include quarter-turn actuator, spring return fail-safe actuator, linear actuator, explosion-proof actuator and have won patent in several countries. Sun Yeh offers various products which are widely applied to the control on industry, water treatment, air conditioning, chemical engineering, food industry and etc.

Sun Yeh electric valve actuators are built in high quality and have been certified with CE, CSA, CCC, ATEX, IECEx, CQST approvals. Sun Yeh has successfully passed ISO 9001, ISO14001, OHSAS 18001, AEO.





solution

Sun Yeh.

Product Overview

The compact size T series provide with torque of 6 Nm and 15Nm.

The compact actuators are designed for small space and apply to small valve or damper application.

Product Features



- Compact size can fit into a small space.
- Dry-powder coated aluminum alloy enclosure conforms to NEMA 4X outdoor use.
- Manual operation can be applied in case of power outage.
- Built-in thermal protection prevents motor burnout.
- Simple design, easy operation.



Standard Specification

Model	T6				T15			
Torque	6 Nm (53 in-lbs)				15 Nm (132 in-lbs)			
Power Supply	110V AC	220V AC	24VAC / DC	12V DC	110V AC	220V AC	24VAC / DC	12V DC
Weight	1.5 kg (3.3 lbs)							
Mounting Flange	F03 / F05 (ISO 5211)							
Manual Override	√							
Duty Cycle	30%							
Control	ON-OFF							
Top Cover	Dry Power Coated Aluminum Alloy							
Environmental Rating	MEMA4X 5, IP 67							
Ambient Temperature	-30°C~+65°C (-22°F~149°F)							
Conduit Entrance	1/4" PF (Max. Internal Diameter : 8mm)							

Optional Item

Mounting Flange	F04 (ISO 5211)	
Conduit Entrance (1-PG11 Cable gland with wires 1m long)		
<p>Note : The cable gland and cable only suit for indoor usage. For outdoor use please replace suitable cable gland and cable.</p>		

Motor Data

Voltage	Model	Speed (90°)		Nominal Motor Power w	Current			
		60Hz	50Hz		Run(60Hz / 50Hz)	Start	Lock	
110V 1-Phase	T6	8s	11s	5	0.3A	0.4A	0.4A	0.3A
	T15	19s	22s					
220V 1-Phase	T6	8s	11s	5	0.2A	0.3A	0.3A	0.3A
	T15	19s	22s					
24V AC	T6	8s	11s	5	1.1A	1.5A	1.5A	1.5A
	T15	19s	22s					

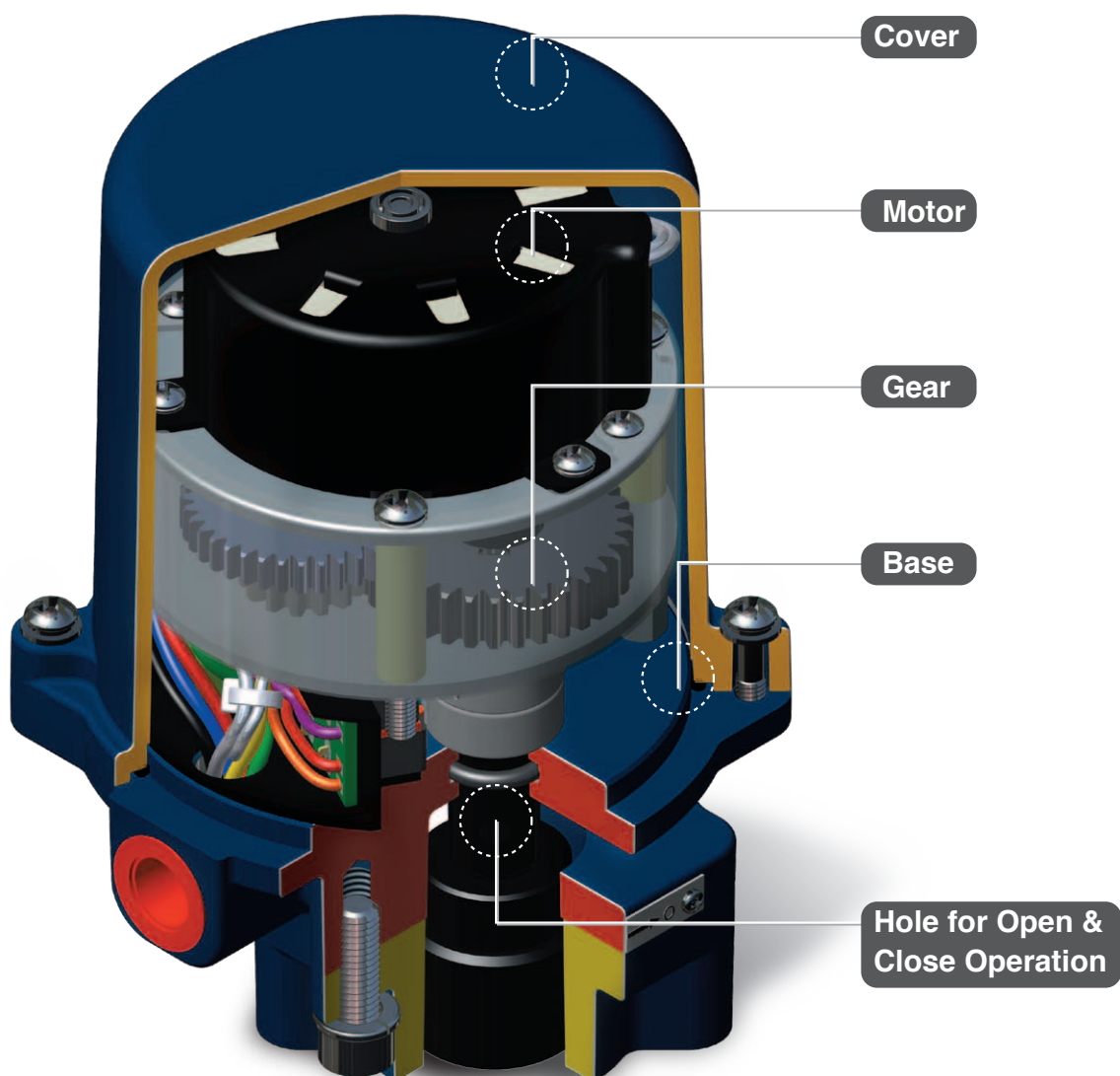
Voltage	Model	Speed (90°)	Nominal Motor Power w	Current		
				Run	Start	Lock
24V DC	T6	7s	5	0.32A	2.3A	3.1A
	T15	16s		0.28A	2.04A	
12V DC	T6	8s	5	0.41A	2.92A	4.1A
	T15	18s		0.34A	2.66A	

Run : Full Load Ampere

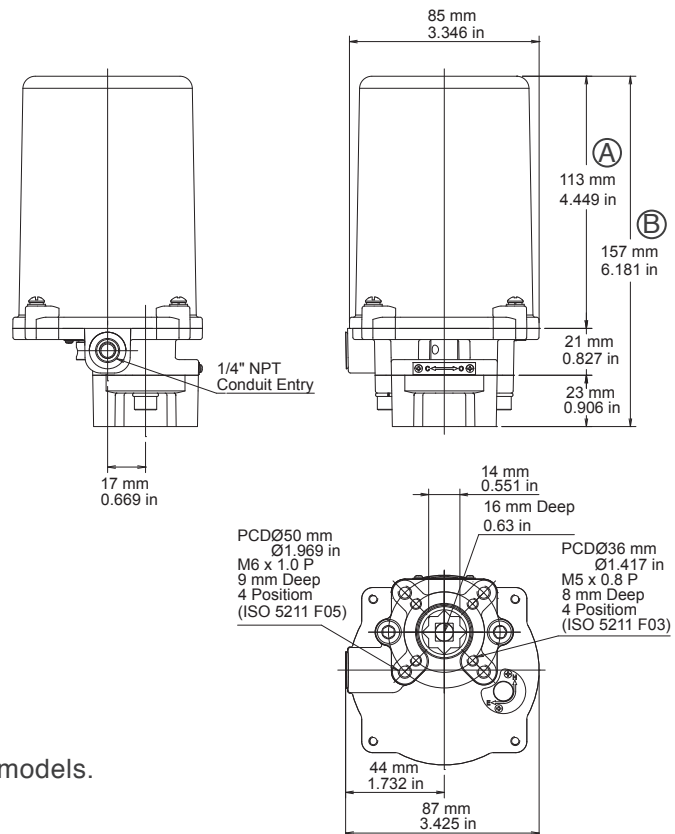
Lock : Locked Rotor Ampere

Important Notices and Maintenance

- Make sure that the supply voltage is correct.
- Turn power off before servicing or for maintenance purpose.
- Use sealant to seal conduit connections after wiring to prevent dusting or water infiltration.
- The electric actuators should be installed in between 0 to 180 degree. Do not mount the assembly with the actuator top below a horizontal position.
- Do not install in an explosive atmosphere in a vacuum.
- The actuator should be stored in clean, dry area and with an outer box to protect against excessive temperature differentials or vibration and prevent from affecting the function of the product.
- To avoid functional failure caused by statics, do not touch any components on the PCB with metal tools or bare hands.
- Please connect the ground wire to PE inside the actuator.
- When more than one actuator needs to be operated simultaneously, please connect with the individual cable or install extra relays.
- The warranty period is one year from original ship date.



24V AC

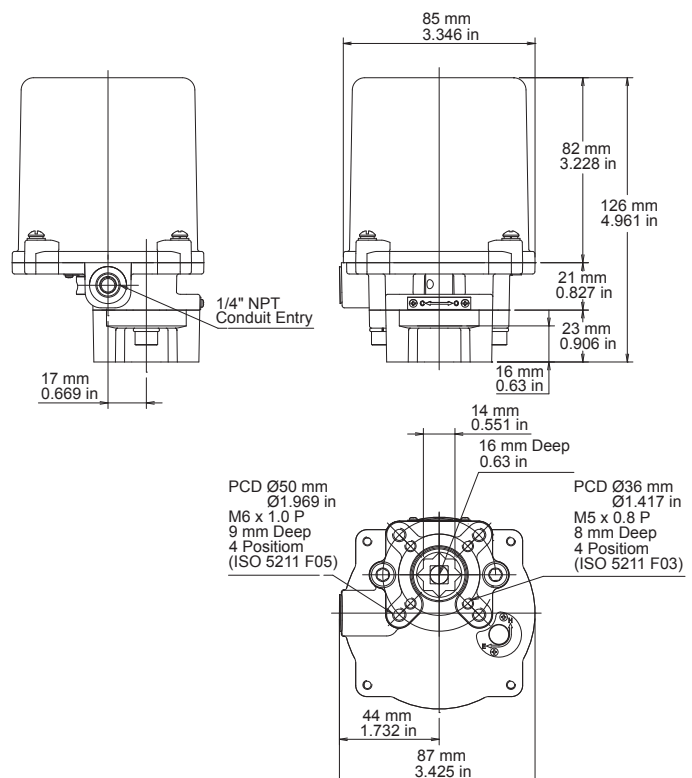


- Apply to power supply 12V DC/ 24V DC models.

(A) is 121 mm (4.76 in)

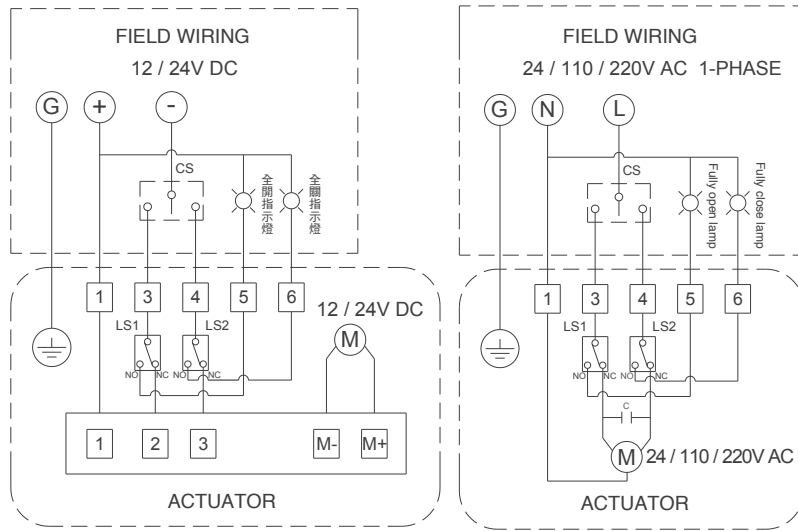
(B) is 165 mm (6.5 in)

110V AC / 220V AC





Wiring Diagram



- Use proper size of wire and fuse to prevent actuator failure. The data is provided below to assist on the selection of the proper wire and fuse.

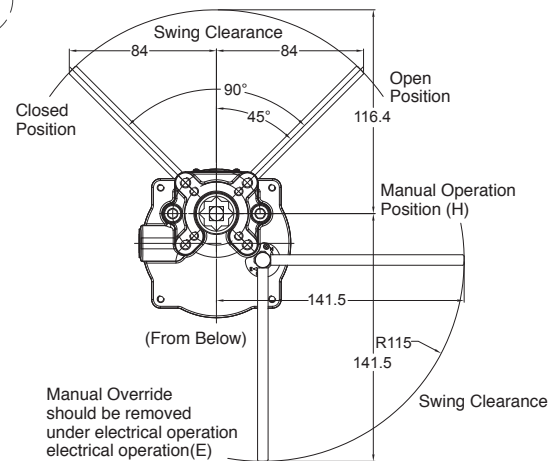
Wire Gage	Max Current	Fuse
24 (0.205mm ²)	3A	2A

Steps of Manual Operation

- Switch the attached tool to switch the actuator from electrical operation(E) to manual operation (H) by tool attached. Operate to open and close with manual override.
- Switch the manual override back to electrical operation (E) mode offer manual to allow for electrical operation.

Installation Steps

- Remove actuator cover.
CAUTION : Be sure power is off before removing cover.
- Please refer to wiring diagram inside cover for electrical connection.
- Turn on power.
CAUTION : Use extreme caution as live circuits can cause electrical shock or death.



- Replace cover and tighten the captive bolts with the require torque shown in table below.

Thread Size	Torque (Nm)
M4	1.3

Receiving Inspection

- Upon receipt of shipment, please check all materials to ensure that no damages occurred during shipping. Damages to the shipping carton is usually a good indication that it has received rough handing. Report all damage immediately to the freight carrier and your seller.
- Please unpack the product and manuals packet, and keep the shipping cartons and packing material in case of product return or replacement. Check if the items received match packing list or bill of lading. If there is any discrepancy, please contact with your vendor or seller.

Storage

- If your actuator won't be installed immediately, store it in a dry place, and protected from excess moisture, dust, and weather, until they are ready for wiring.
- If the actuators are installed without wiring, please don't remove the plastic transit conduit entry plug. When wiring for the actuator, it shall be replaced them with suitable water-proof plug with IP protection.



SUN YEH ELECTRICAL IND. CO., LTD.

No. 68, Ln. 854, Sec. 1, Shatian Rd., Shejiau Vil., Dadu Dist.,
Taichung City 43244, Taiwan (R.O.C.)

TEL : 886-4-2698-5666 FAX : 886-4-2698-3668

E-mail : service@sunyeh.com

