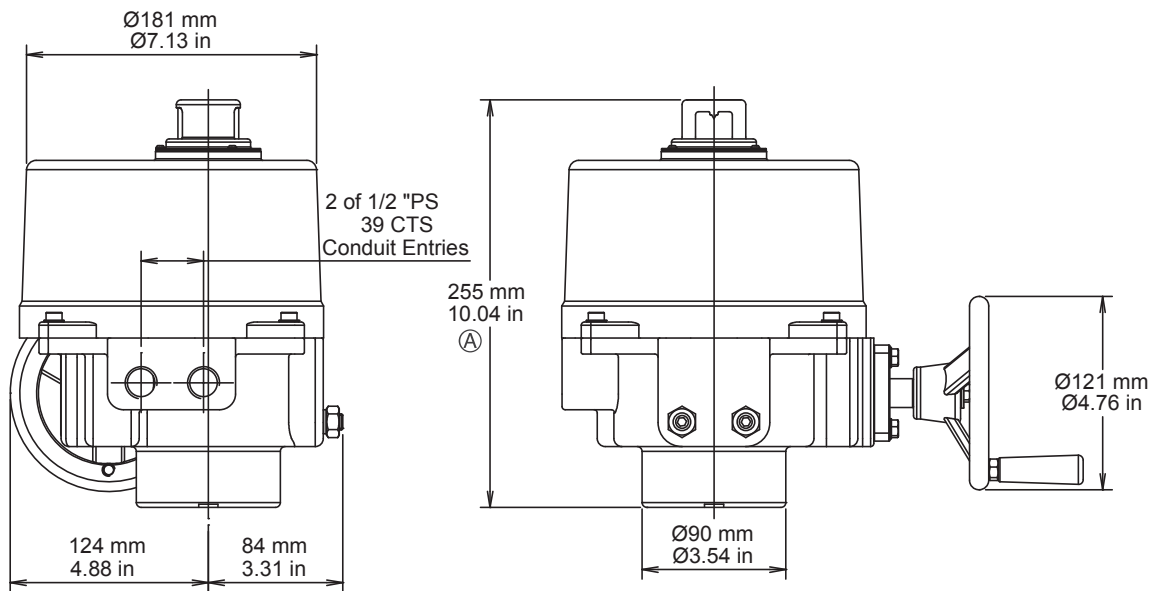


OM-2~OM-3



- With DC motor (A)=289mm (Apply to DC models or 75% duty cycle).
- With torque switch (B)=361mm (14.21 in).

