

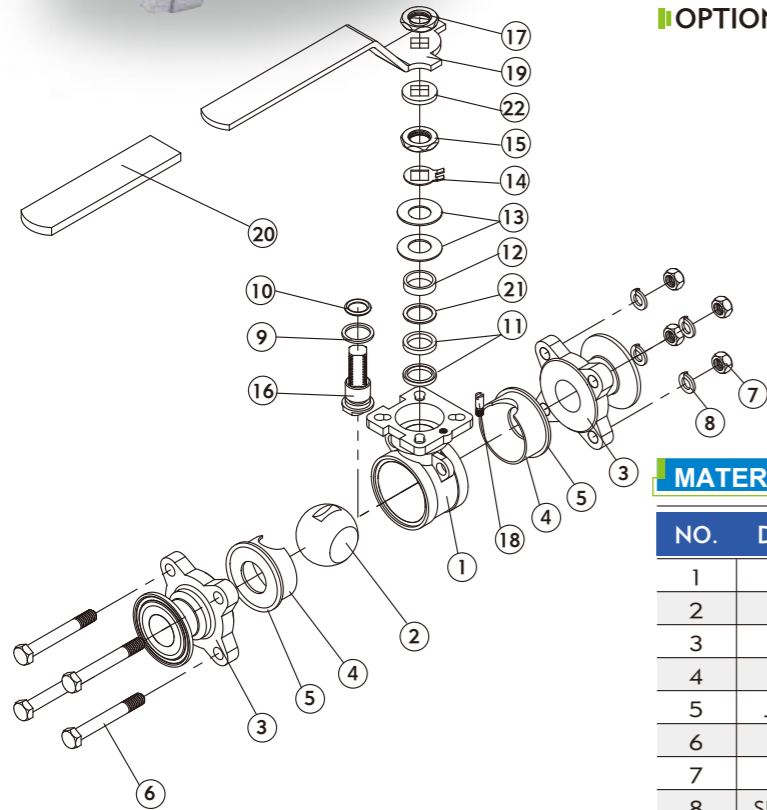
3-PC SANITARY BALL VALVE

H3SC



FEATURES

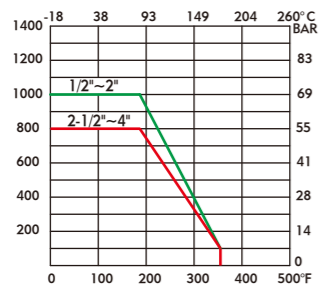
- STANDARD PORT
- INVESTMENT CASTING
- MATERIAL: ASTM-A351-CF8M, ASTM-A351-CF3M
- WORKING PRESSURE: 1000WOG (1/2"~2")
800WOG (2-1/2"~4")
- BALL SEAT: WITH CAVITY FILLED PTFE
- SIZE RANGING: 1/2"~4" (DN15~DN100)
1-1/4"(DN32) IS NOT AVAILABLE
- END CONNECTIONS: ASME BPE-2005
- WITH ISO 5211 DIRECT MOUNTING PAD
- OPTIONS: LOCKING DEVICE



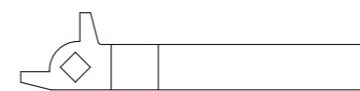
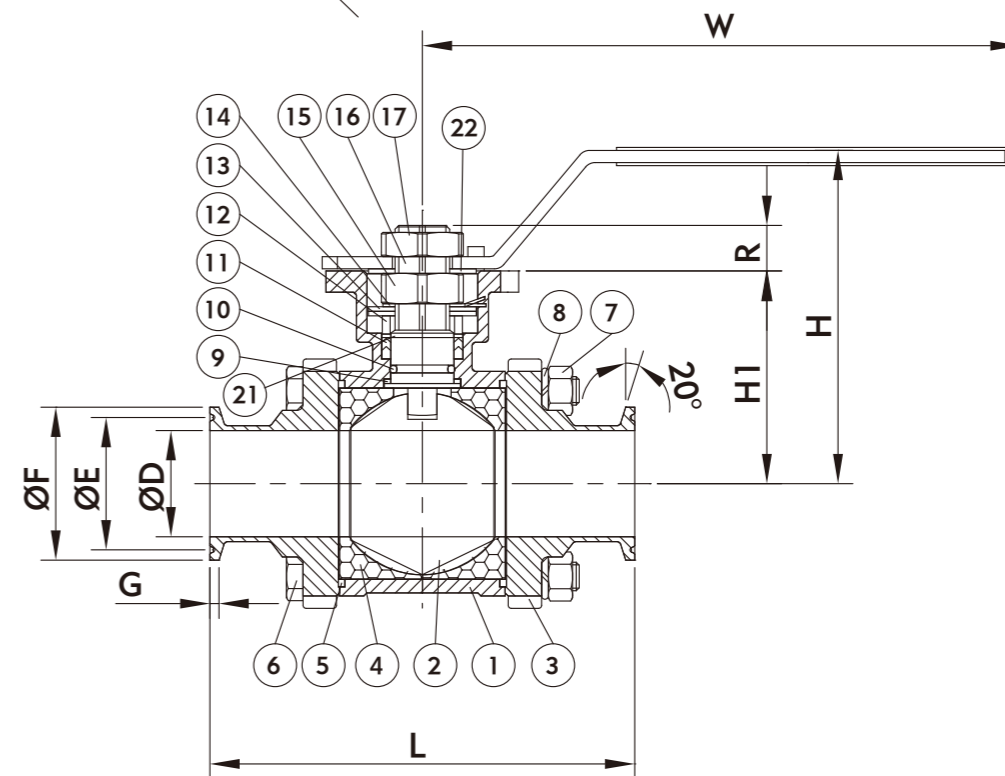
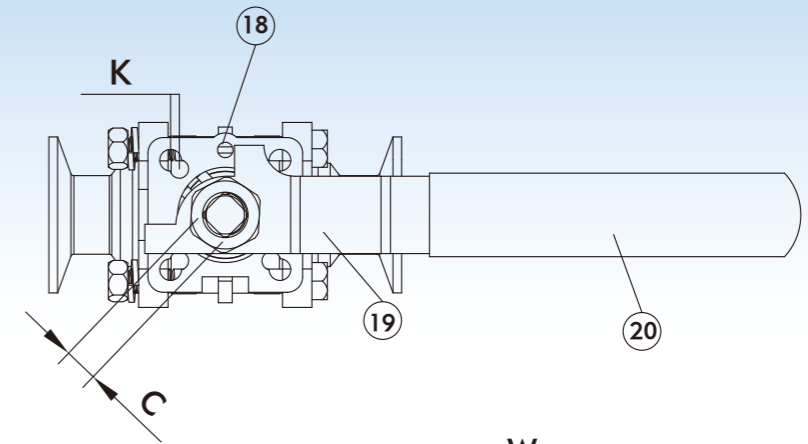
MATERIALS LIST

NO.	DESCRIPTION	Q'TY	MATERIAL	
1	BODY	1	ASTM-A351-CF8M	ASTM-A351-CF3M
2	BALL	1	ASTM-A351-CF8M	ASTM-A351-CF3M
3	CAP	2	ASTM-A351-CF8M	ASTM-A351-CF3M
4	SEAT	2	PTFE	PTFE
5	JOINT GASKET	2	PTFE	PTFE
6	BOLT	4-6	SUS 304	SUS 304
7	NUT	4-12	SUS 304	SUS 304
8	SPRING WASHER	4-12	SUS 304	SUS 304
9	THRUST WASHER	1	PTFE	PTFE
10	O-RING	1	VITON	VITON
11	STEM PACKING	1	PTFE	PTFE
12	GLAND BUSH	1	SUS 304	SUS 304
13	BELLEVILLE WASHER	2	SUS 301	SUS 301
14	STOP WASHER	1	SUS 304	SUS 304
15	STEM NUT	1	SUS 304	SUS 304
16	STEM	1	SUS 316	SUS 316
17	HANDLE NUT	1	SUS 304	SUS 304
18	STOP PIN	1	SUS 304	SUS 304
19	HANDLE	1	SUS 304	SUS 304
20	HANDLE COVER	1	PLASTIC	PLASTIC
21	THRUST WASHER	1	PTFE 15%	PTFE 15%
22	SQUARE WASHER	1	SUS304	SUS304

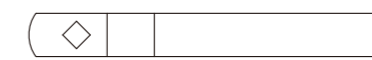
PRESSURE-TEMPERATURE CHART



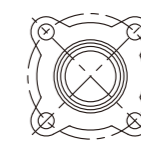
3-PC SANITARY BALL VALVE



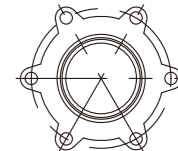
1/2"~2"



2-1/2"~4"



1/2" ~ 3"



4"

DIMENSION

SIZE	C	ØD	ØE	ØF	G	H	H1	K	L	R	W
1/2"	9	9.4	20.3	25	3.63	73	36	F03/F04	89	9	111
3/4"	9	15.8	20.3	25	3.63	78	41	F03/F04	101	9	111
1"	11	22.1	43.6	50.4	2.8	87.5	49.5	F04/F05	114	11	186
1-1/2"	14	34.8	43.6	50.4	2.8	109	70	F05/F07	140	14	197
2"	14	47.5	56.3	63.9	2.8	117	78	F05/F07	159	14	197
2-1/2"	17	60.2	70.6	77.4	2.8	139	98	F07/F10	197	17	265.5
3"	17	72.9	83.3	90.9	2.8	149.5	108.5	F07/F10	227	17	265.5
4"	22	97.4	110.3	118.9	2.8	195	140	F10/F12	241	22	321

UNIT:MM